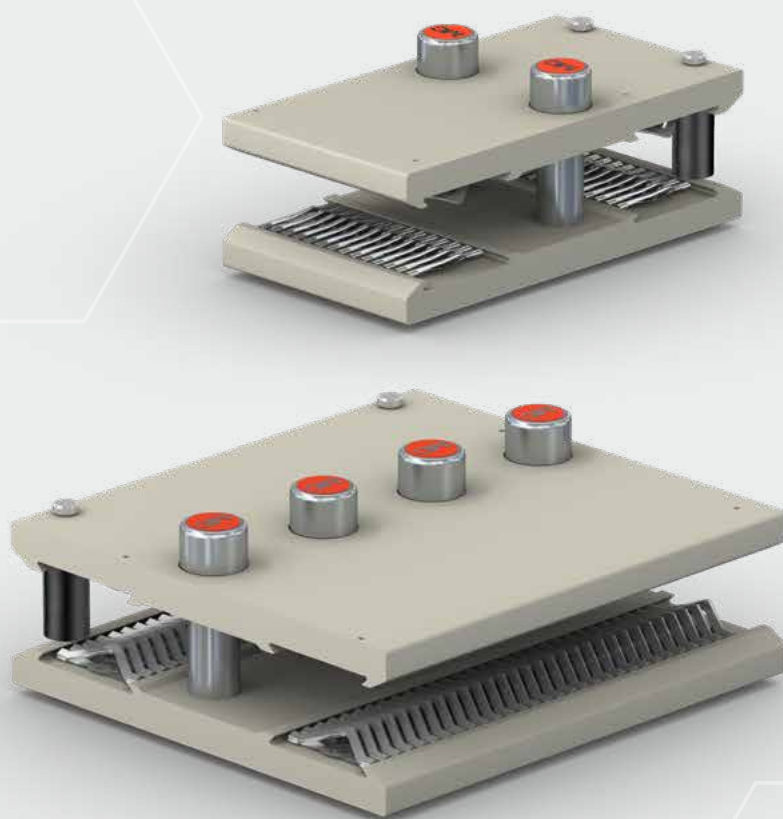


# High power fork plug HP-GSRD

Slide-inline | Industrial Connectors



## STÄUBLI ELECTRICAL CONNECTORS

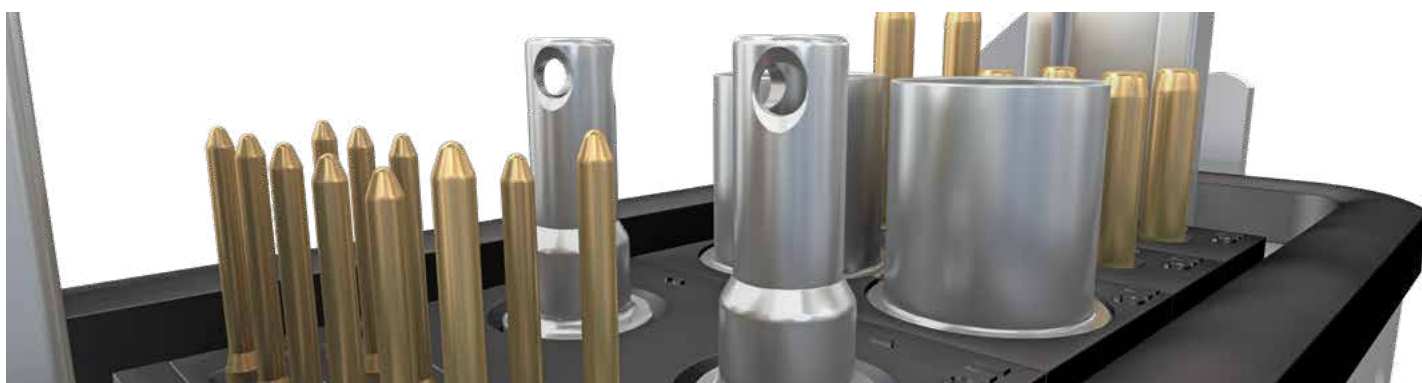
## Long-term solutions – Expert connections



**Stäubli Electrical Connectors is a leading international manufacturer of high-quality electrical connector systems. We are part of the Stäubli Group which offers mechatronics solutions for electrical connectors, liquid and gas couplings, robots and textile machinery.**

Stäubli develops, produces, sells and maintains products for markets with high productivity standards. As recognized specialists, our focus is always on solutions and customers. Many new developments got their start here and have begun to make their way around the world.

Businesses and customers count on our commitment and our active support when dealing with unusual problems. With us, you are entering into a long-term partnership built on reliability, dynamism, and exceptional quality in both products and services.



UNLIMITED POSSIBILITIES FOR CONTACT SOLUTIONS

MULTILAM Technology



**MULTILAM** are specially formed and resilient contact elements. All Stäubli Electrical Connectors products benefit from the unique and outstanding performance of the **MULTILAM** Technology.

Thanks to their constant spring pressure, MULTILAM louvers ensure continuous contact with the contact surface, resulting in a constantly low contact resistance.

MULTILAM Technology allows to find solutions for connectors within the severest constraints and in certain products for up to 1 million mating cycles.

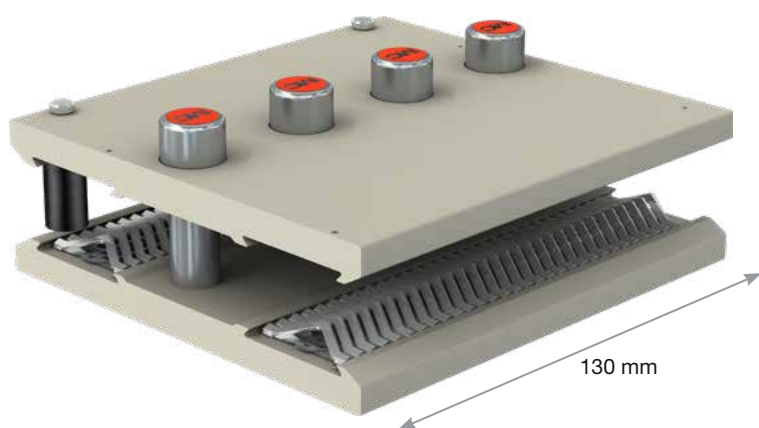
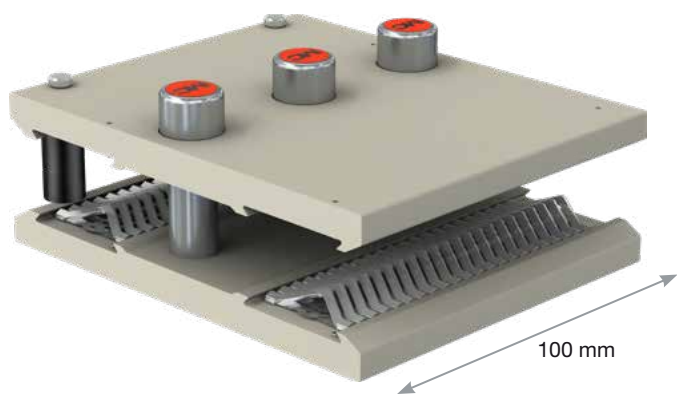
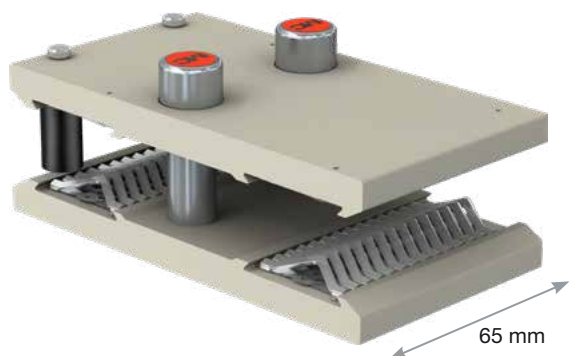
This makes the MULTILAM Technology the best choice for applications with demanding requirements:

- Reliable and longlife operation due to constantly high performance
- Safe operation under highest environmental demands on temperature, vibration and shock
- Suitable for data and signal contacts as well as high-current connectors
- Automated solutions with a high number of mating cycles



INTRODUCTION

# Double fork plug HP-GSRD...



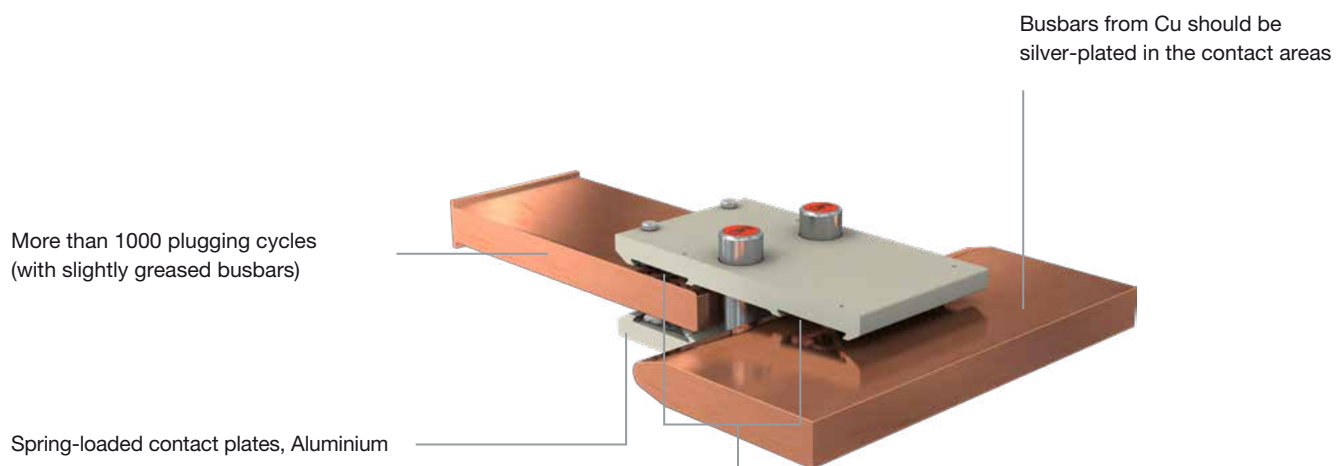
3

**Standard versions**

(Special double fork plugs can be supplied in non-standard widths and thicknesses on request)

**RoHS ready**

Directive 2002/95/EC on the restriction of the use of certain hazardous substances in electrical and electronic equipment



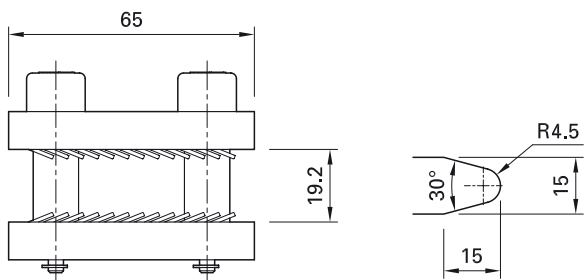
**MULTILAM**



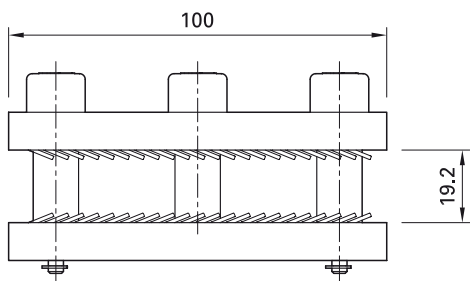
For busbar thicknesses of 15 mm  
(Special double fork plugs can be supplied  
in non-standard widths and thicknesses on  
request)



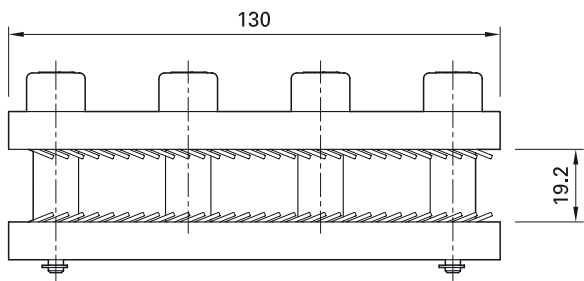
# Standard versions



HP-GSRD...65



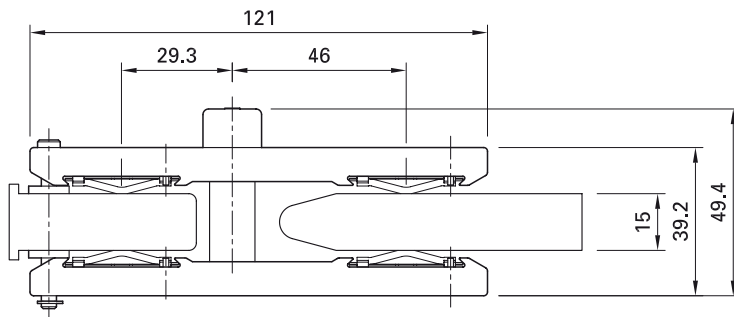
HP-GSRD...100



HP-GSRD...130

**Drilling plan**

Type	Sizes (mm)
	A
HP-GSRD...65	40
HP-GSRD...100	75
HP-GSRD...130	105



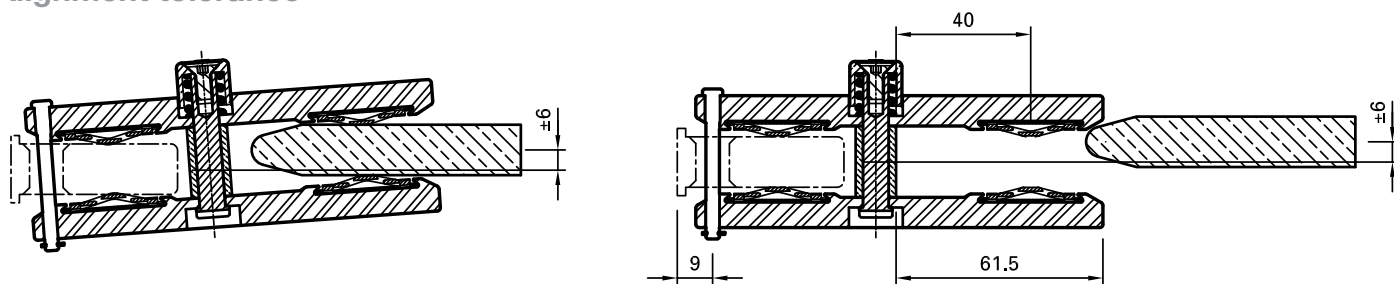
Ill.	Order No.	Type	For thickness of busbar	Fork plug length	Insertion force (µr 0,35)	Contact resistance <sup>1)</sup>	Rated current <sup>1) 2)</sup>	Rated current <sup>1) 3)</sup>	Short-circuit current <sup>1)</sup>	Rated peak withstand current
			mm	mm	N	µΩ	A	A	kA (1s)	kA
1	19.9050-065	HP-GSRD15-65	15	65	75	50	1000	500	19,8	55
2	19.9050-100	HP-GSRD15-100	15	100	115	33	1500	750	36	100
3	19.9050-130	HP-GSRD15-130	15	130	150	25	2000	1200	50,4	140

<sup>1)</sup> Data valid with silver plated contact areas on copper busbars

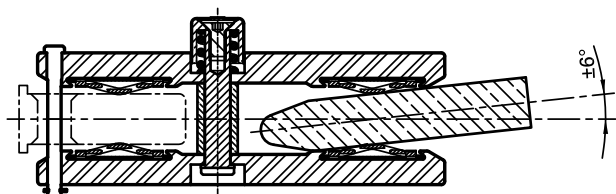
<sup>2)</sup> Fork plug temperature 105 °C (Ambient temperature 35 °C)

<sup>3)</sup> Fork plug temperature 65 °C (Ambient temperature 35 °C)

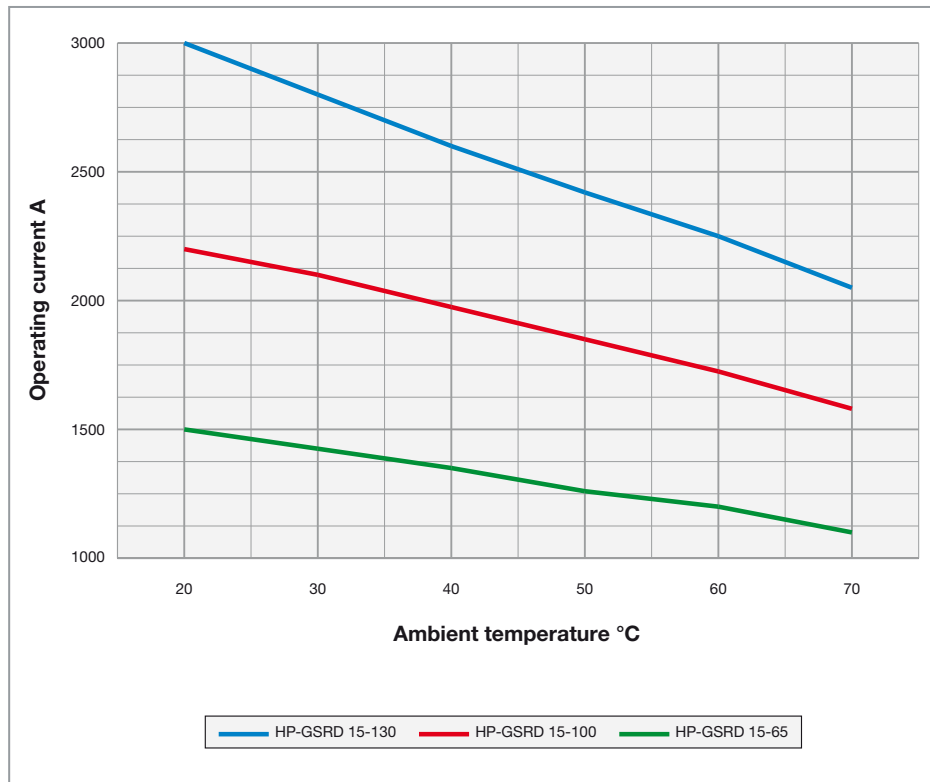
### Alignment tolerance



### Angular tolerance



### Derating diagram





■ Stäubli Units    ○ Agents

# Global presence of the Stäubli Group

[www.staubli.com](http://www.staubli.com)