

Multi-Contact

MC

STÄUBLI

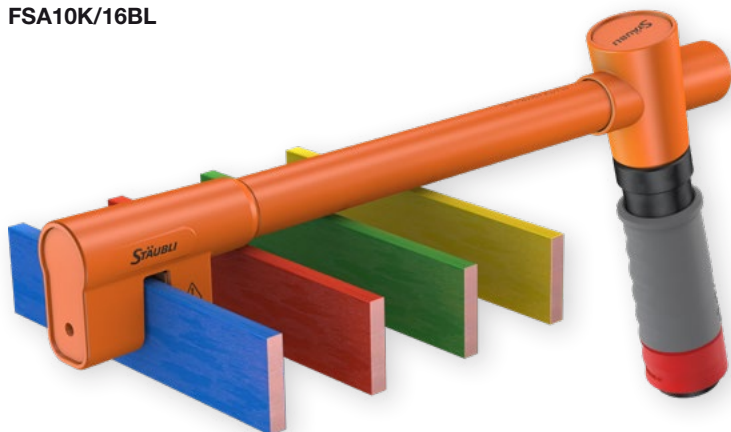
# Rapid connection system FSA10K/16BL

Utilitiesline | Industrial Connectors



# FSA10K/16BL rapid connection system with replaceable contact claw

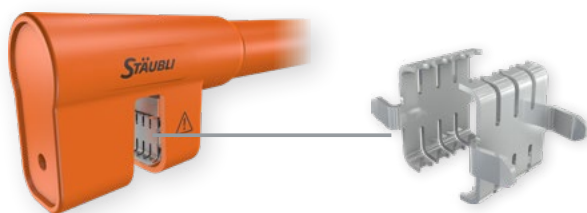
FSA10K/16BL



**New Flat Bar clamp with plug connection 16BL specially designed for use on:**

- Parallel busbars
- Bare, painted, or otherwise insulated busbars

## Product features:



**Patented replaceable contact claw**



**Extra narrow head and extra long design.**

**Termination with 16BL system.**



**360° rotation of handle.**

## Customer Benefits:

### Service friendly and time saving

- Can break through insulated or painted busbars
- Easy to exchange worn/damaged contact elements

### Maximum flexibility

- For connection over several busbars
- For easier access to busbar in hard to reach positions
- Suitable for use with free connectors from the new 16BL system

### Easy handling:

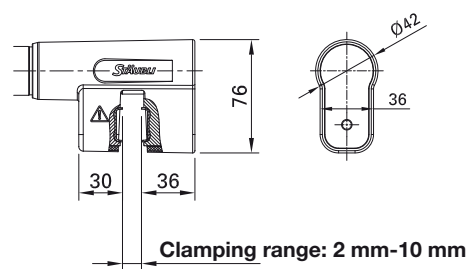
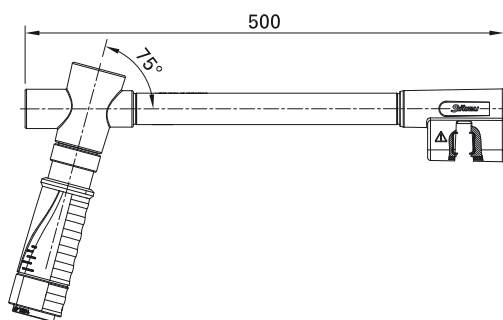
- Enables optimal access to busbars
- Reduces forces at the contact area

### Increased operator safety thanks to compatibility with 16BL system:

- Color coding
- 45° bayonet locking
- Safety latch when mated with 16BL socket

**Quick and secure fastening to busbars**

A torque limiter wrench tool is used to securely clamp and release the FSA10K to/from the busbars.



| Technical data                                   |  |
|--|--|
| Rated current                                    | 530 A  |
| Rated voltage                                    | 1000 V   |
| Short-circuit current                            | 12 kA, 1 s; 10 kA, 3 s; 9 kA, 4 s                          |
| Rated peak withstand current                     | 30 kA  |
| Rated impulse voltage                            | 12 kV  |
| Overvoltage category/Pollution degree            | CAT III/3  |
| Ambient temperature range                        | -40°C...+80°C  |
| Clamping range                                   | 2 mm-10 mm   |
| Thickness of busbar                              | 5 mm <sup>1)</sup> -10 mm                                  |
| Required contact area on each side of the busbar | 40 mm x 35 mm  |
| Type of termination                              | Plug connection 16BL/Adapters available for 16BV system    |
| Length   | 500 mm   |
| For bare or insulated busbars                    |  |
| Max. busbar insulation:                          |  |
| – Painting thickness                             | 0.15 mm  |
| – Insulating tape                                | 0.2 mm   |
| – Heat-shrink tubing                             | 1 mm   |
| Operating cycles                                 | >1'000, depending on conditions (replaceable contact claw) |

| Order No. | Type                           | Description   | *Colors                   |
|-----------|--------------------------------|---|---------------------------|
| 12.1278-* | FSA10K/16BL-CP-SET             | Rapid connection system with extra contact claw set                         | 22 23 24 25 <sup>2)</sup> |
| 12.0501   | FSA20-WZ                       | Torque wrench tool, 10 Nm   |                           |
| 12.1275   | K-F-FSA10K CONTACT CLAW AG-SET | Contact claw set (1 pair)   |                           |
| 15.5882   | 16BL-CP/PC                     | Protective cover to protect the connectors from dust and water when unmated |                           |
| 12.1279   | FSA10K/16BL-TC                 | Transport case with trolley, empty, suited for 4 x FSA10K + 1 x FSA20-WZ    |                           |



Assembly instructions MA407

www.staubli.com/electrical

\* Add the desired color code

<sup>1)</sup> The busbars need to be supported adequately to prevent twisting effects.

<sup>2)</sup> Additional colors upon request



■ Stäubli Units    ○ Agents

# Global presence of the Stäubli Group

[www.staubli.com](http://www.staubli.com)